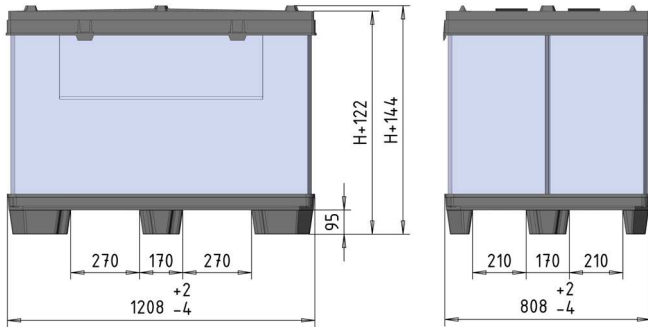


# TP BOX

1200 X 800 | 9 FEET / 3 RUNNERS



## TECHNICAL DATA

### MEASURES

External measures (mm)	1200 x 800 x (H+140)
Standard internal measures (mm)	1160 x 760 x (H-70)
Sandwich internal measures (mm)	1145 x 745 x (H-70)

H = sleeve height

### SLEEVE

Standard thickness (mm)	10
Standard grammage (gr/m <sup>2</sup> )	3000
Height (mm)	<1580

### WEIGHT (KG +/- 3%)

Pallet	10,6
Lid	6,3
Sleeve	According to size and grammage
Runners	3

### MATERIAL

Pallets, lids and runners	Recycled PP
Sleeves	Virgin PP (or recycled PP)

## CHARACTERISTICS

### STANDARD COLOR

Pallet, lid, runners	Anthracite
Sleeve	Light grey

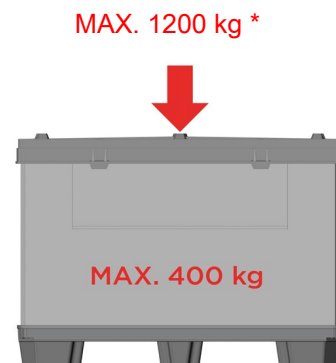
### TEMPERATURE

Temperature range (°C)	-10 to +40
------------------------	------------

### LOAD CAPACITIES (with standard grammage)

Dynamic load** (kg)	800
Load in rack***(kg) with runners	400

### STATIC LOAD\* CAPACITY (IN STACKING)



(\*) We recommend use of skids.

**OPTIONS ON PALLETS AND LIDS**

- Handles on lids

---

- Runners for use on conveyer belt or rack until 400 kg (height: +20mm)

---

- ESD quality

---

- Marking

**OPTIONS ON SLEEVES**

- Unloading flap standard size (800 x 350mm)

---

- Document holder

---

- Printing

---

- Sandwich system with return collar (H: 160mm)

---

- Sleeve's grammage 2000, 2500, 3000, 3500 or 4000gr/m2

**PACKAGING**

- Packaging unit for pallets and lids 18 + 18

---

- Bulk size (mm) 1200 x 800 x 2400

---

- Packaging unit for sleeves subject to project

---

- Bulk size (mm) subject to project

---

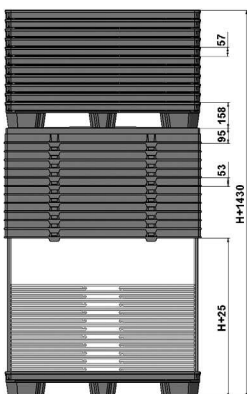
- Packaging unit for runners 90

---

- Bulk size (mm) 1200 x 1200 x 1000

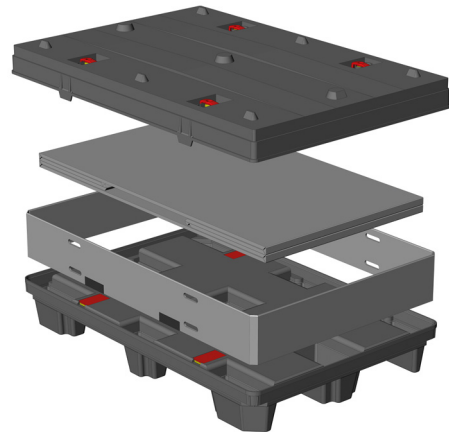
**EXAMPLES FOR RETURN SYSTEM**

**STANDARD SYSTEM**

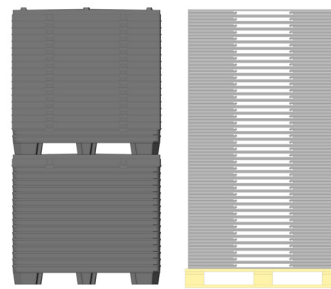


Empty returning: 12 BOX TP  
 11 sleeves folded into the BOX  
 Ratio= 1:4 (loaded with 1+2)  
 1:6 (loaded with 1+1)

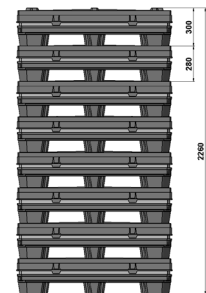
**SANDWICH SYSTEM**



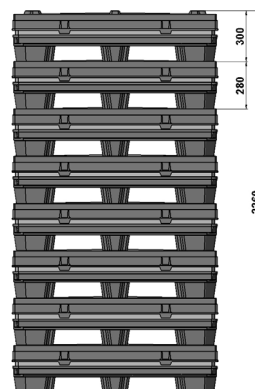
**STANDARD DELIVERY**



**IN SANDWICH SYSTEM**



**SANDWICH SYSTEM**



Empty returning: 8 BOX TP  
 1 sleeve folded into the BOX  
 Ratio= 3:8 (loaded with 1+2)  
 1:4 (loaded with 1+1)

\* **Static load:** Uniformly distributed load which the pallet can support when placed on a flat, horizontal rigid surface, at a temperature of approximately 20°C.  
 \*\* **Dynamic load:** Uniformly distributed load which the pallet can support when transported or manoeuvred on a conventional forklift or pallet truck, at a temperature of approximately 20°C.  
 \*\* **Load in rack:** Uniformly distributed load which the pallet can support when resting on the skids on its short side on a standard rack, at a temperature of approximately 20°C.

The indicated values are approximate and based on experience and practical cases.  
 For bulk storage, consult.  
 Any deterioration or different loading, temperature or storage method conditions, can cause this data to vary.  
 We reserve the right to modify any information provided herein without prior notice.  
**We recommend testing the pallet before use.**